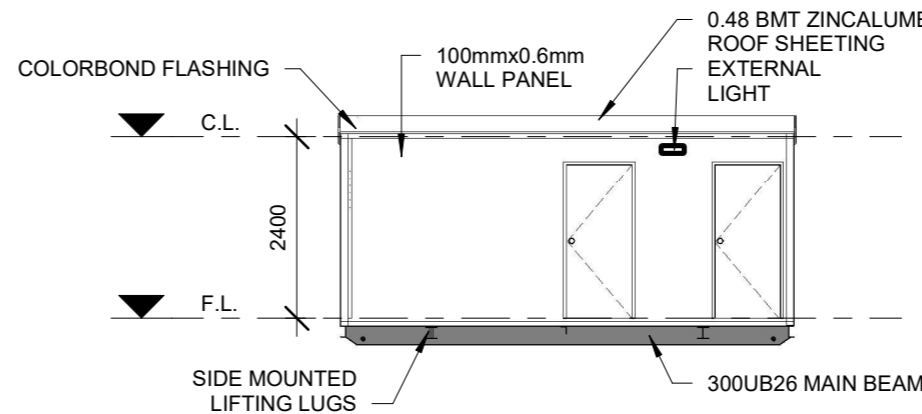
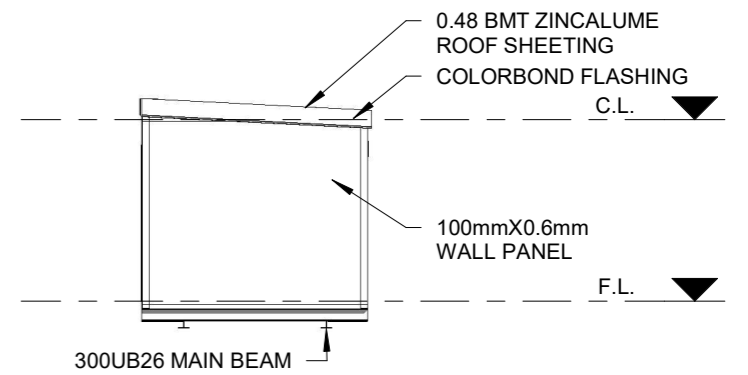


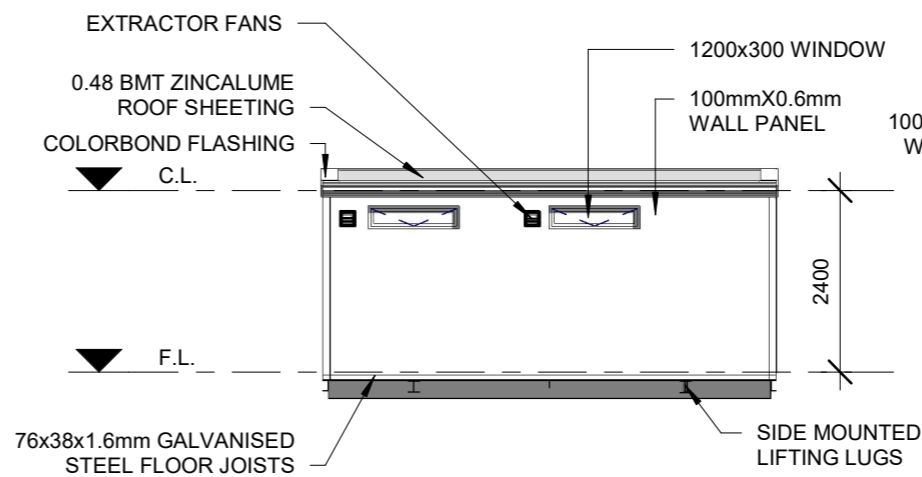
FLOOR - Plan
1 : 50



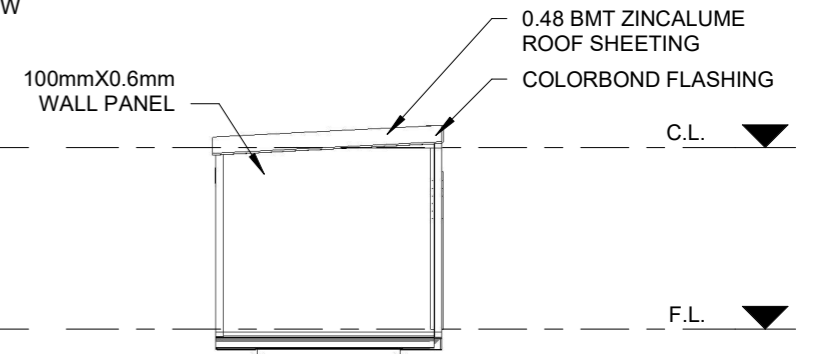
Front - Elevation
1 : 100



Side - Elevation
1 : 100



Rear - Elevation
1 : 100



Side (2) - Elevation
1 : 100



**6.0m x 3.0m
ABLUTION BLOCK**

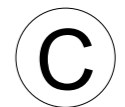
WIND REGION: D
TERRAIN: 2

THE BUILDING SHALL BE INSTALLED IN ACCORDANCE WITH CURRENT NCC AND ALL RELEVANT REGULATIONS. THE TIE DOWN FOOTINGS AND ATTACHMENT METHOD SHALL BE DESIGNED AND CERTIFIED BY A STRUCTURAL ENGINEER, HAVING REGARD FOR THE LOCATION OF THE BUILDING, WIND LOADING, TERRAIN AND SOIL CLASSIFICATION OF THE SITE.

Date: 14/05/2021

Scale: As indicated

Sheet Size: A 3



COPYRIGHT

Sheet:

A01